

PART NUMBER: 250-8402

KIT CONTENTS

ITEM	QTY	DESCRIPTION
1	1	INTERFACE ADAPTER HARNESS
2	1	REAR CAMERA ASSEMBLY
3	1	CAMERA EXTENSION HARNESS
4	1	SACK PARTS

HARDWARE BAG CONTENTS

ITEM	QTY	DESCRIPTION
1	10	WIRE TIES
2	3	ADHESIVE FOAM
3	1	SEALING PUTTY
4	1	ALCOHOL PAD

ADDITIONAL ITEMS REQUIRED FOR INSTALL

ITEM	QTY	DESCRIPTION
1	N/A	ELECTRICAL TAPE
2		
3		
4		

CONFLICTS

NOTE:

RECOMMENDED TOOLS

SAFETY TOOLS	
SPECIAL TOOLS	
INSTALLATION TOOLS	
FASTENER REMOVAL TOOL	WIRE CUTTERS
TRIM REMOVAL TOOL	
10-MM DEEP SOCKET	
TORQUE WRENCH (36 IN*LBS)	
SPECIAL CHEMICALS	

COLOR APPLICABILITY/TRIM LEVEL

VEHICLE TRIM COLOR	ACCESSORY COLOR																		







GENERAL APPLICABILITY

ALL MODELS

RECOMMENDED SEQUENCE OF APPLICATION

* MANDATORY

LEGEND

	STOP: DAMAGE TO VEHICLE MAY OCCUR. DO NOT PROCEED UNTIL PROCESS COMPLIANCE HAS BEEN MET.
	OPERATOR SAFETY: USE CAUTION TO AVOID RISK OF INJURY.
	CRITICAL PROCESS: PROCEED WITH CAUTION TO ENSURE A QUALITY INSTALLATION. THESE POINTS WILL BE AUDITED ON A COMPLETED VEHICLE INSTALLATION.
	GENERAL PROCESS: THIS HIGHLIGHTS SPECIFIC PROCESSES TO ENSURE A QUALITY INSTALLATION. THESE POINTS WILL BE AUDITED DURING THE ACCESSORY INSTALLATION.
	TOOLS & EQUIPMENT: THIS CALLS OUT THE SPECIFIC TOOLS AND EQUIPMENT REQUIRED FOR THE PROCESS.
	REVISION MARK: THIS MARK HIGHLIGHTS A CHANGE IN INSTALLATION WITH RESPECT TO PREVIOUS ISSUE.

SPECIAL NOTE: INSTALLATION SEQUENCES

AFTER SAFETY MANDATED PREPARATORY STEPS HAVE BEEN TAKEN, THE INSTALLATION SEQUENCE IS THE SUGGESTED METHOD FOR COMPLETING THE ACCESSORY INSTALLATION. IN SOME INSTANCES THE SUGGESTED SEQUENCE IS WRITTEN FOR ONE ASSOCIATE TO INSTALL AND IN OTHERS THE SEQUENCE IS GIVEN AS PART OF A TEAM ACCESSORY INSTALLATION. UNLESS OTHERWISE STATED IN THE DOCUMENT, THE ASSOCIATES MAY PERFORM THE INSTALLATION STEPS IN ANY ORDER TO MAKE THE INSTALLATION AS EFFICIENT AS POSSIBLE WHILE MAINTAINING CONSISTENT QUALITY.


PARTS IDENTIFICATION


ITEM	QUANTITY	PART NUMBER	DESCRIPTION
1	1	250-8552	INTERFACE ADAPTER HARNESS
2	1	250-8550	CAMERA EXTENSION HARNESS
3	1	250-8117	CMOS REAR CAMERA ASSEMBLY
4	1		SACK PARTS: TIE STRAPS, FOAM TAPE, SEALING PUTTY




***BEFORE** BEGINNING INSTALLATION, FAMILIARIZE YOURSELF WITH THE INSTALLATION INSTRUCTIONS AND THE **REARSIGHT™** BACK-UP CAMERA SYSTEM COMPONENTS.

VEHICLE PREPARATION

 **CAUTION: It is advisable to disconnect the negative battery cable for 3 minutes before beginning installation to avoid unintended air bag deployment. Note and record any anti-theft radio codes prior to disconnecting.**





VEHICLE PREPARATION



1. DISENGAGE CLIPS TO REMOVE THE LEFT AND RIGHT SIDE FRONT PANEL GARNISH. **FIGURE 1**

2. USE A TRIM TOOL TO DISENGAGE CLIPS AND DISCONNECT THE CONNECTOR TO REMOVE THE CENTER FINISH PANEL ASSEMBLY. **FIGURE 2**

3. PULL THE AIR CONDITIONING VENT COVER ASSEMBLY IN THE DIRECTION INDICATED BY THE ARROW TO DISENGAGE THE 6 CLIPS TO REMOVE. **FIGURE 3**

4. DISENGAGE THE CLIPS AND DISCONNECT THE CONNECTOR TO REMOVE THE SPEAKER OPENING COVER ASSEMBLY. **FIGURE 4**

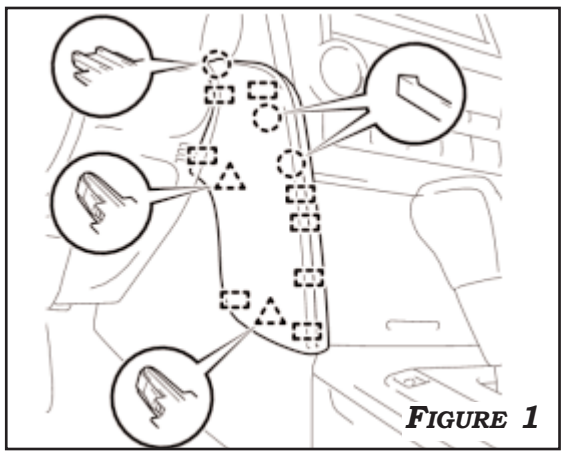


FIGURE 1

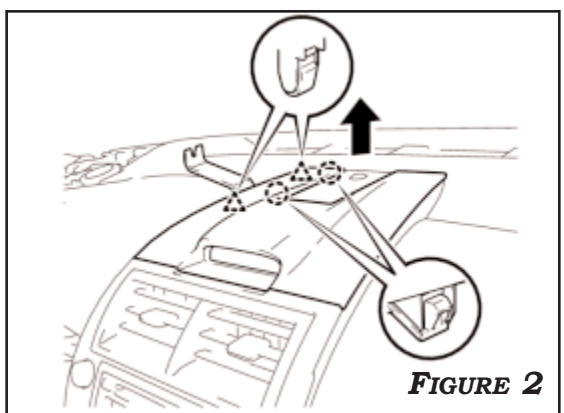


FIGURE 2

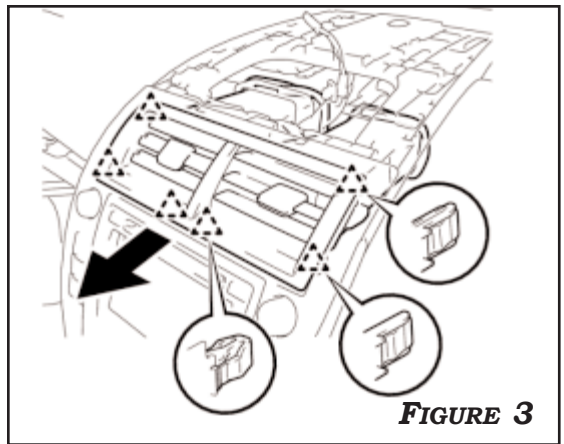


FIGURE 3

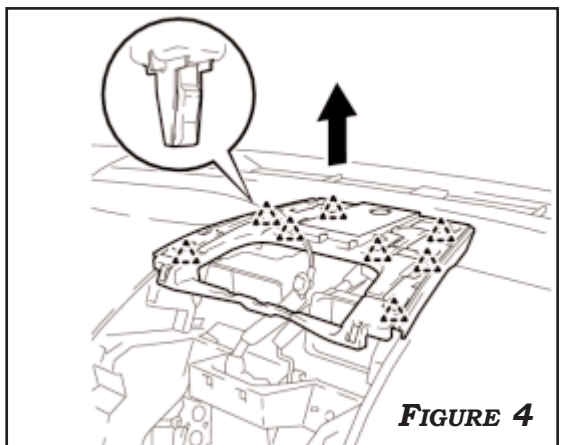


FIGURE 4

VEHICLE PREPARATION

VEHICLE PREPARATION CONTINUED...



5. APPLY PROTECTIVE TAPE AND REMOVE THE 4 (10MM) BOLTS. PULL THE RADIO RECEIVER ASSEMBLY WITH AIR CONDITIONING CONTROL ASSEMBLY TOWARD THE REAR OF THE VEHICLE AND DISENGAGE THE CLIPS. DISCONNECT EACH CONNECTOR AND REMOVE THE RADIO RECEIVER ASSEMBLY WITH AIR CONDITIONING CONTROL ASSEMBLY. **FIGURE 5**

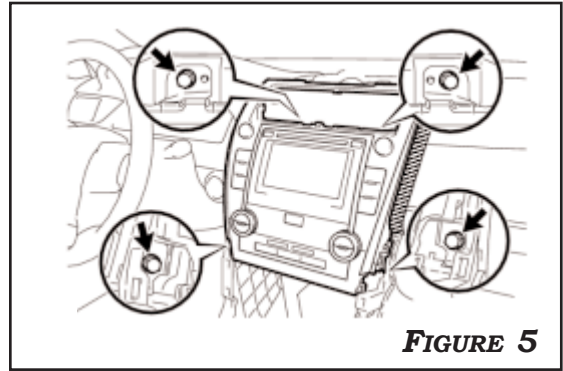


FIGURE 5

6. USE A TRIM TOOL TO DISENGAGE CLIPS AND REMOVE THE INSTRUMENT SIDE PANEL AND LOWER DASH PANEL ASSEMBLY. **FIGURE 6**

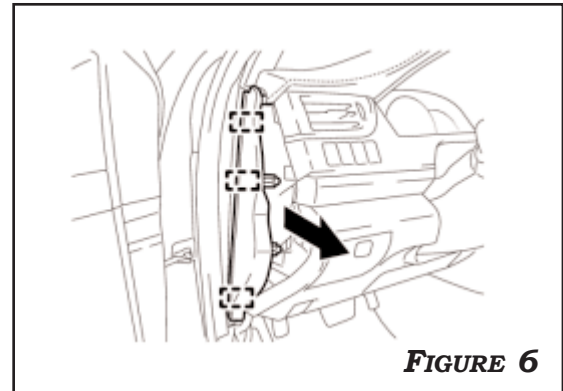


FIGURE 6

7. DISENGAGE CLIPS TO REMOVE DRIVER SIDE KICK PANEL AND FRONT DOOR SCUFF PANEL ASSEMBLY. **FIGURE 7**

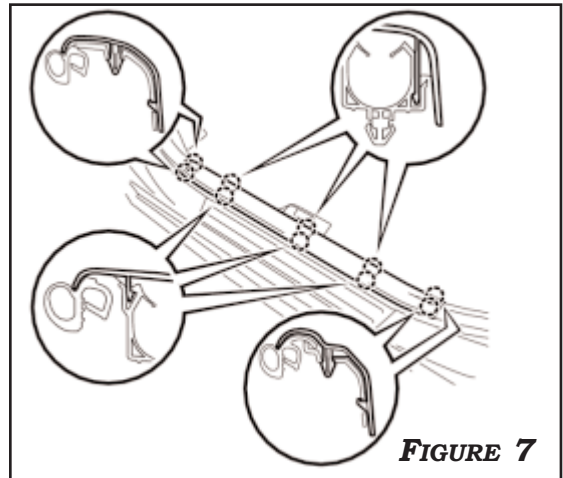


FIGURE 7

8. DISENGAGE CLIPS TO REMOVE DRIVER SIDE REAR DOOR SCUFF PANEL ASSEMBLY. **FIGURE 8**

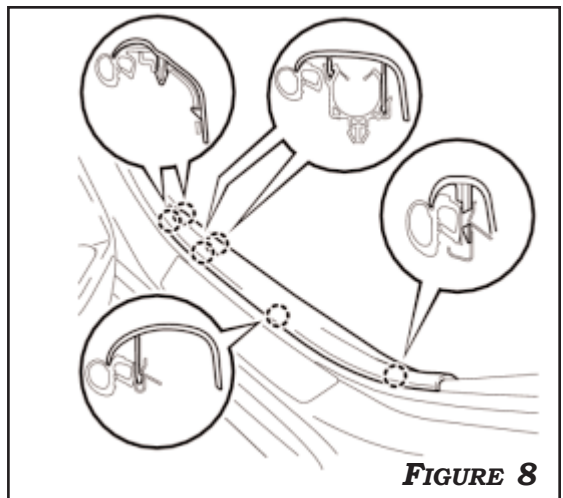


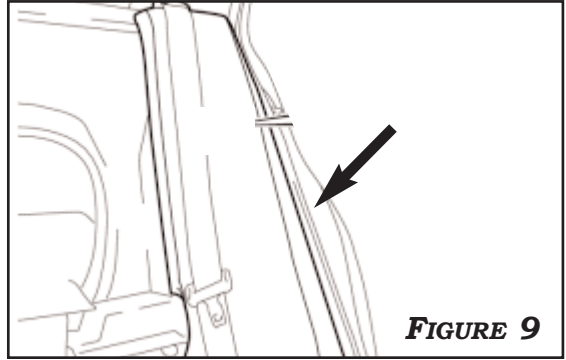
FIGURE 8

VEHICLE PREPARATION

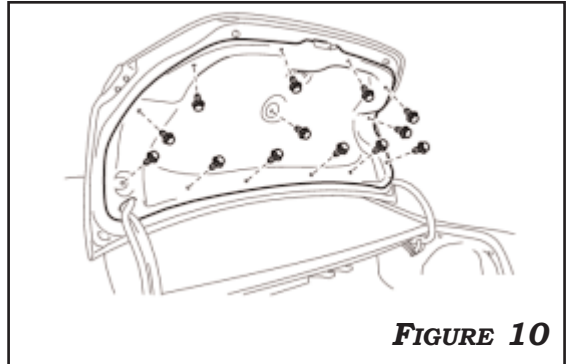
VEHICLE PREPARATION CONTINUED...



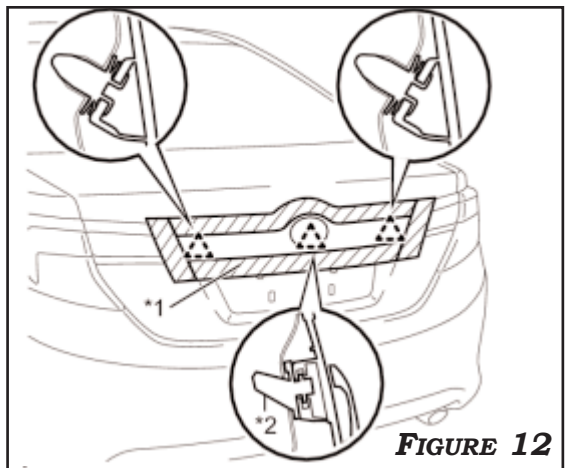
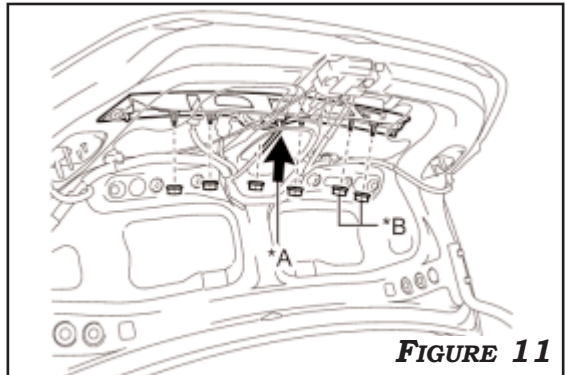
9. REMOVE LEFT REAR DOOR OPENING TRIM WEATHERSTRIP.
FIGURE 9



10. REMOVE THE 13 CLIPS AND LUGGAGE COMPARTMENT
DOOR COVER. **FIGURE 10**



11. REMOVE (6) 10MM NUTS AND DISENGAGE THE CLIPS TO
REMOVE THE LUGGAGE COMPARTMENT DOOR OUTSIDE GARNISH
SUB-ASSEMBLY. **FIGURES 11 & 12**



INSTALLATION

INSTALLING INTERFACE HARNESS



1. CONNECT THE INTERFACE ADAPTER HARNESS INTO RADIO RECEIVER AS SHOWN IN **FIGURE 13**. CONNECT THE VEHICLE HARNESS INTO THE MATING CONNECTOR OF THE INTERFACE ADAPTER HARNESS.

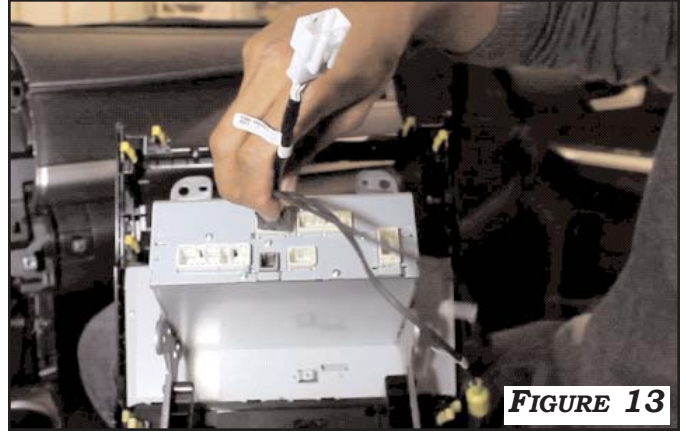


FIGURE 13

2. CONNECT **MALE RCA** VIDEO CONNECTOR OF CAMERA EXTENSION HARNESS TO **VIDEO** INPUT (YELLOW CONNECTOR) OF INTERFACE ADAPTER HARNESS. CONNECT **MALE DC** POWER CONNECTOR OF CAMERA EXTENSION HARNESS TO CAMERA **POWER** OUTPUT (BLACK CONNECTOR) OF INTERFACE ADAPTER HARNESS. WRAP ALL **RCA** AND **DC** CONNECTORS WITH THE FOAM TAPE PROVIDED. **FIGURE 14**

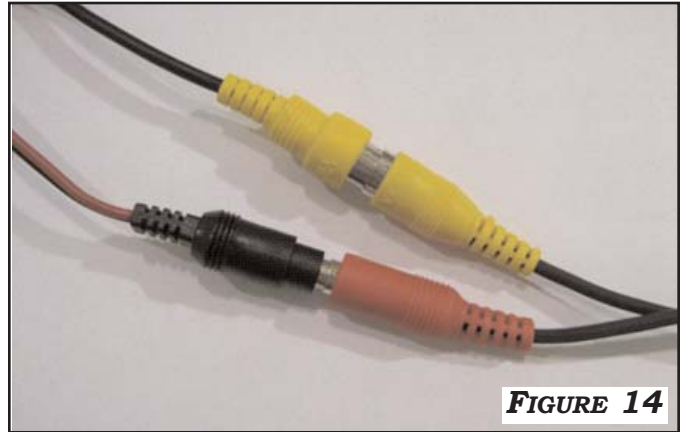


FIGURE 14

ROUTING HARNESSES



1. ROUTE **CAMERA EXTENSION HARNESS** BEHIND REMOVED RADIO ASSEMBLY AND BEHIND LOWER DASH PANEL USING THE FACTORY RETAINING CLIPS OR FOAM TAPE WHENEVER POSSIBLE. ROUTE THE HARNESSES FROM THE LOWER DASH PANEL THROUGH THE KICK PANEL AND ALONG DRIVER SIDE DOOR WIRING TO THE LUGGAGE COMPARTMENT DOOR AREA.

FIGURES 15-18

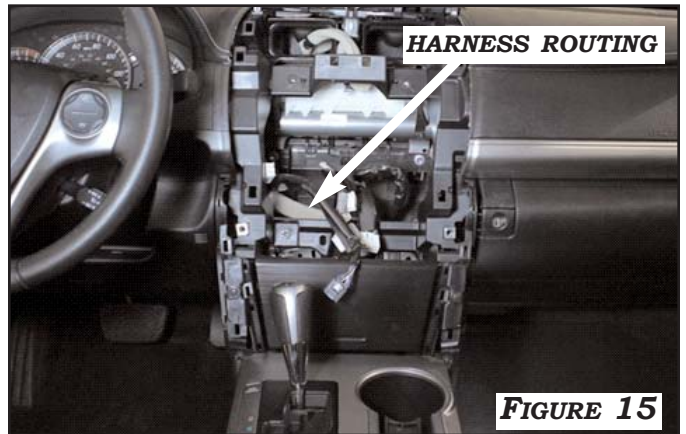


FIGURE 15

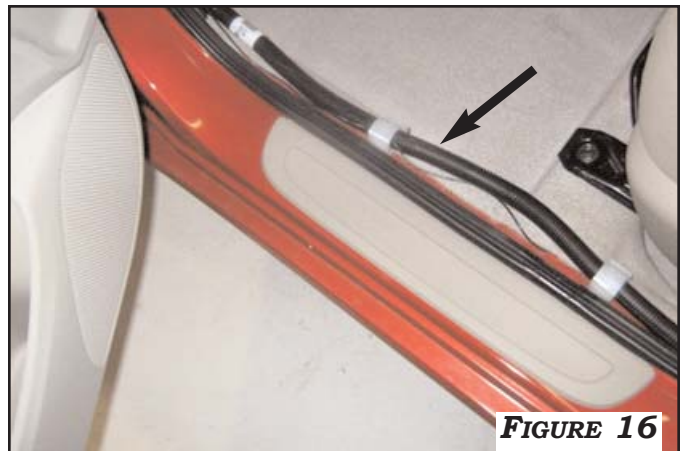


FIGURE 16

INSTALLATION

MOUNTING CAMERA



NOTE: INSTALLATION TEMPERATURE

SURFACE TEMPERATURE MUST BE BETWEEN 70°F AND 110°F FOR OPTIMUM INSTALLATION.

1. CLEAN THE CENTER BOTTOM OF THE LICENSE PLATE TRIM PIECE WITH ALCOHOL. PEEL THE CLEAR LINER OFF THE DOUBLE-SIDED TAPE ON THE CAMERA ASSEMBLY AND MOUNT TO THE TRIM PIECE AS SHOWN IN **FIGURE 19**. BE SURE TO PUSH THE CAMERA ASSEMBLY AND PRESS DOWN FIRMLY ON THE TRIM PIECE FOR FIVE SECONDS BEFORE RELEASING.
2. REMOVE THE LEFT SIDE LICENSE PLATE LIGHT FIXTURE TO ROUTE CAMERA HARNESS AS SHOWN IN **FIGURE 20**. REASSEMBLE THE LIGHT FIXTURE WITH CAMERA HARNESS AT TOP RIGHT CORNER BEHIND FIXTURE HOUSING.
3. CONNECT **RCA** CONNECTOR AND **DC POWER** CONNECTOR OF CAMERA HARNESS TO THE EXTENSION HARNESS. WRAP **RCA** AND **DC** CONNECTORS WITH FOAM TAPE PROVIDED. PROPERLY BUNDLE AND SECURE EXCESS HARNESS INSIDE OF REAR DOOR. BE SURE HARNESS IS NOT BINDING AND IS CLEAR OF MOVING PARTS.

TESTING



1. RECONNECT NEGATIVE BATTERY CABLE AND TORQUE TO **3 FT*lbs**. RE-ENTER ANY THEFT DETERRENT INFORMATION, IF APPLICABLE.



2. TURN THE IGNITION SWITCH **ON**. PUT THE VEHICLE IN REVERSE. VERIFY THAT THE RADIO DISPLAY IS ON AND THAT THE CAMERA'S PICTURE APPEARS.
3. IF THERE IS NO PICTURE, VERIFY ALL CONNECTIONS ARE SECURE.

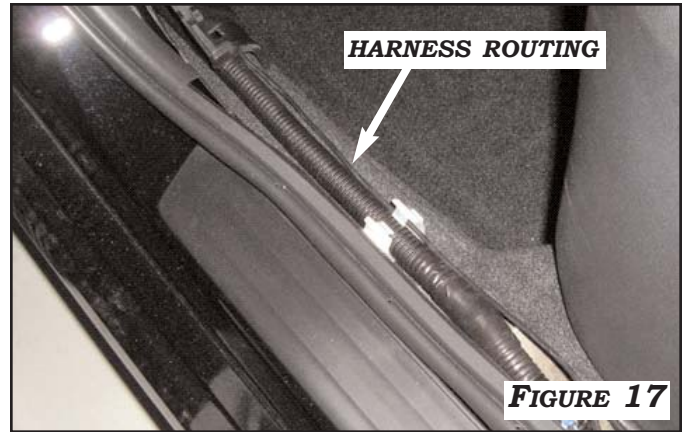


FIGURE 17

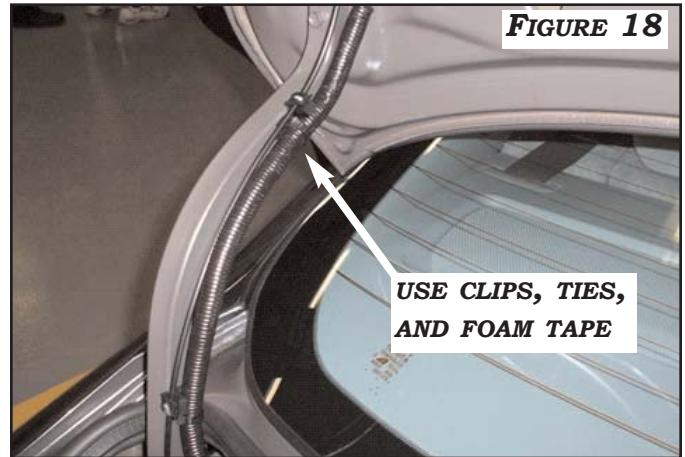


FIGURE 18

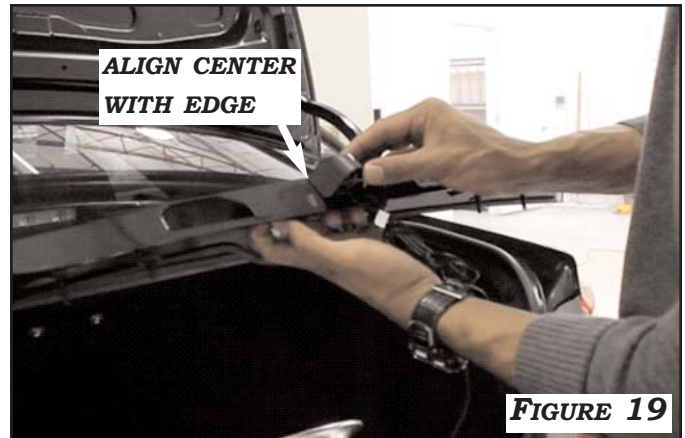


FIGURE 19

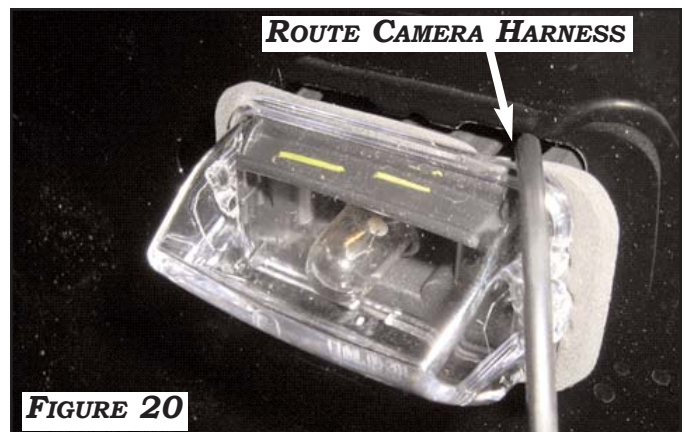


FIGURE 20

TESTING AND REASSEMBLY

REASSEMBLY



1. REINSTALL ALL TRIM PIECES TAKING SPECIAL CARE TO ENSURE HARNESSES AND WIRING CONNECTIONS ARE PROPERLY SECURED.
2. BE SURE HARNESS IS NOT PINCHED OR BOUND BY TRIM PIECES.
3. PLACE THE OWNER'S CARD IN THE GLOVE BOX.
4. RECONNECT ALL DISCONNECTED BULBS AND CHECK FOR FUNCTION.



FIGURE 21

FUNCTION VERIFICATION



CHECK:

ACCESSORY FUNCTION CHECKS

- TURN THE IGNITION SWITCH ON AND PUT VEHICLE IN REVERSE**
- TURN THE IGNITION SWITCH ON AND PRESS "AUTO" BUTTON**

VEHICLE FUNCTION CHECKS

- TRUNK RELEASE**
- BACK UP LIGHTS**
- RADIO OPERATION (CHECK BY PLACING VEHICLE IN REVERSE GEAR)**

LOOK FOR:

VERIFY CAMERA PICTURE COMES ON. (IMAGE WILL DISAPPEAR WHEN VEHICLE IS TAKEN OUT OF GEAR)

VERIFY LED LIGHT IS ON IN IGNITION

VERIFY TRUNK RELEASE HANDLE OPERATES

VERIFY BACK UP LIGHTS COMES ON WHEN PLACED IN REVERSE

RADIO SHOULD OPERATE NORMALLY