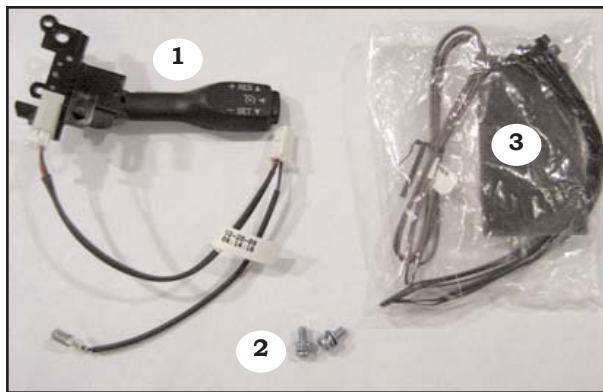


PART NUMBER: 250-1731



BASE KIT CONTENTS

ITEM	QTY	DESCRIPTION
1	1	CONTROL SWITCH ASSEMBLY
2	2	SCREWS (M5)
3	3	HARDWARE CONTENTS

HARDWARE BAG CONTENTS

ITEM	QTY	DESCRIPTION
1	1	CRUISE ECM HARNESS FOR COROLLA
2	1	CRUISE ECM HARNESS FOR TACOMA
3	4	WIRE TIES
4	1	FOAM TAPE
5		
6		

ADDITIONAL ITEMS REQUIRED FOR INSTALL

ITEM	QTY	DESCRIPTION

CONFLICTS

NOTE:

RECOMMENDED TOOLS

PERSONAL & VEHICLE PROTECTION	
SAFETY GLASSES	
FENDER COVER	
GLOVES (OPTIONAL)	
SPECIAL TOOLS	
BATTERY POST PROTECTOR	
INSTALLATION TOOLS	
TRIM REMOVAL TOOL	PHILLIPS SCREWDRIVER
10-MM WRENCH	T-30 BIT
3/4 WRENCH DRIVE	TORQUE WRENCH
DRILL BITS	1/4" AND 1 1/2" HOLE SAW
14MM WRENCH	
SPECIAL CHEMICALS	

SERVICE TOOL CONTENTS

ITEM	QTY	DESCRIPTION	PART NUMBER

GENERAL APPLICABILITY

ALL YARIS MODELS

SERVICE PARTS

ITEM	PART#	DESCRIPTION
1	250-2706	COROLLA ECM HARNESSES
1	250-2707	STOP SWITCH (PRIUS)
1	250-2755	BRAKE HARNESS 09 PRIUS

LEGEND

STOP: DAMAGE TO VEHICLE MAY OCCUR. DO NOT PROCEED UNTIL PROCESS COMPLIANCE HAS BEEN MET.

OPERATOR SAFETY: USE CAUTION TO AVOID RISK OF INJURY.

CRITICAL PROCESS: PROCEED WITH CAUTION TO ENSURE A QUALITY INSTALLATION. THESE POINTS WILL BE AUDITED ON A COMPLETED VEHICLE INSTALLATION.

GENERAL PROCESS: THIS HIGHLIGHTS SPECIFIC PROCESSES TO ENSURE A QUALITY INSTALLATION. THESE POINTS WILL BE AUDITED DURING THE ACCESSORY INSTALLATION.

TOOLS & EQUIPMENT: THIS CALLS OUT THE SPECIFIC TOOLS AND EQUIPMENT REQUIRED FOR THE PROCESS.

REVISION MARK: THIS MARK HIGHLIGHTS A CHANGE IN INSTALLATION WITH RESPECT TO PREVIOUS ISSUE.

VEHICLE PROTECTION: THIS CALLS OUT FOR PROTECTION OF VEHICLE REQUIRED FOR THIS PROCESS.

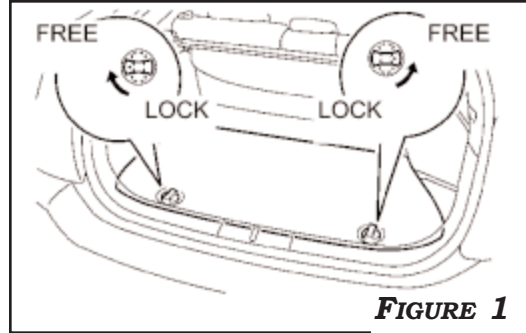
SPECIAL NOTE: INSTALLATION SEQUENCES
 AFTER SAFETY MANDATED PREPARATORY STEPS HAVE BEEN TAKEN, THE INSTALLATION SEQUENCE IS THE SUGGESTED METHOD FOR COMPLETING THE ACCESSORY INSTALLATION. IN SOME INSTANCES THE SUGGESTED SEQUENCE IS WRITTEN FOR ONE ASSOCIATE TO INSTALL AND IN OTHERS THE SEQUENCE IS GIVEN AS PART OF A TEAM ACCESSORY INSTALLATION. UNLESS OTHERWISE STATED IN THE DOCUMENT, THE ASSOCIATES MAY PERFORM THE INSTALLATION STEPS IN ANY ORDER TO MAKE THE INSTALLATION AS EFFICIENT AS POSSIBLE WHILE MAINTAINING CONSISTENT QUALITY.

PRIUS BATTERY

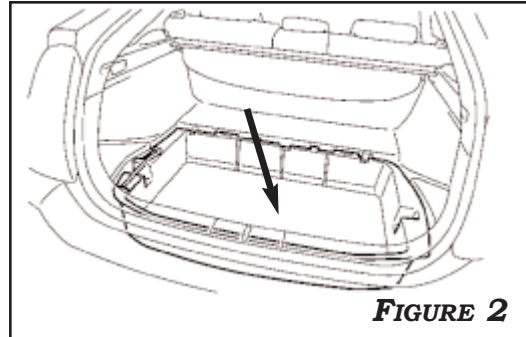
BATTERY TERMINAL REMOVAL



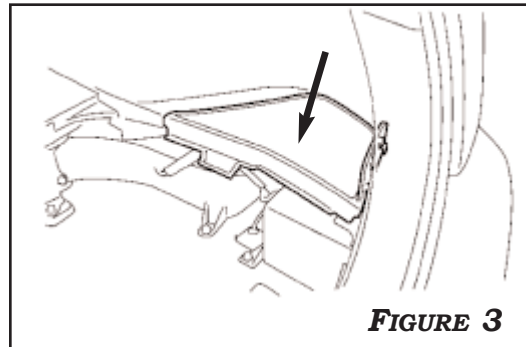
1. REMOVE THE REAR FLOOR BOARD SHOWN IN **FIGURE 1**.



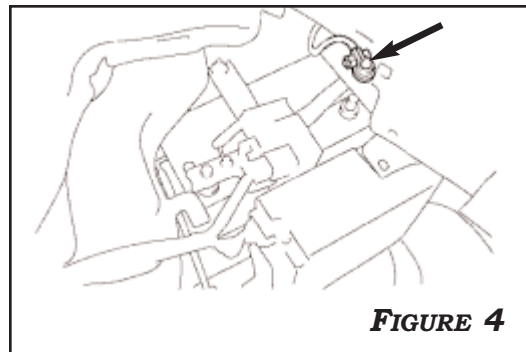
2. REMOVE THE DECK FLOOR BOX REAR SHOWN IN **FIGURE 2**.



3. REMOVE THE REAR FLOOR BOARD SHOWN IN **FIGURE 3**.



4. DISCONNECT THE CABLE FROM THE NEGATIVE TERMINAL OF THE 12 V BATTERY AS SHOWN IN **FIGURE 4**.



CAUTION: ENSURE THAT BATTERY HAS BEEN DISCONNECTED FOR MORE THAN 90 SECONDS PRIOR TO REMOVAL OF AIRBAG; FAILURE TO HEED THIS WARNING MAY RESULT IN AIRBAG DISCHARGE AND MAY CAUSE SERIOUS INJURY OR DEATH.

VEHICLE PREPARATION

VEHICLE PREPARATION:



1. REMOVE AIRBAG BY EXTRACTING THE TWO 30 TORX SCREWS AS ILLUSTRATED IN **FIGURE 5**.

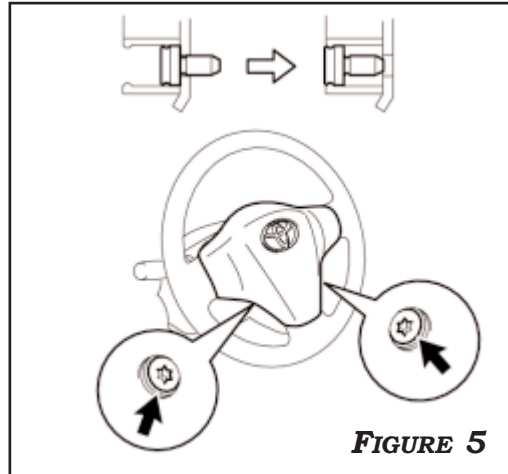


FIGURE 5

2. REMOVE GROUND TERMINAL AND DUMMY HORN/CRUISE CONNECTOR FROM STEERING WHEEL AND DISCARD. **IF GROUND HARNESS FOR HORN IS PRESENT ON A SEPARATE VEHICLE CONNECTOR, LEAVE HORN WIRE CONNECTED.** UTILIZE SMALL SCREWDRIVER TO REMOVE AIRBAG CONNECTORS AS ILLUSTRATED IN **FIGURE 6**.

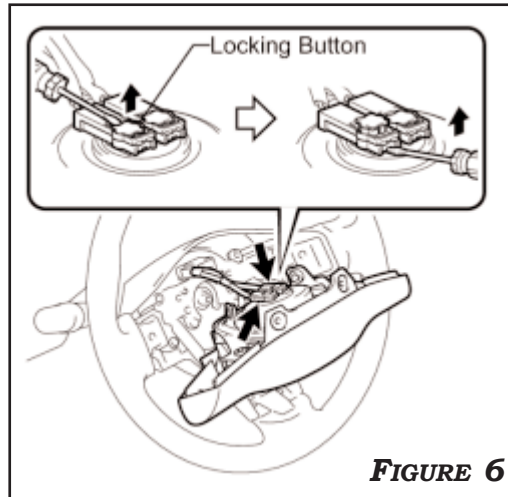


FIGURE 6



CAUTION: BE SURE TO STORE AIRBAG FACE UP AS ILLUSTRATED IN FIGURE 7 TO REDUCE INJURY IN EVENT OF ACCIDENTAL DISCHARGE OF AIRBAG.

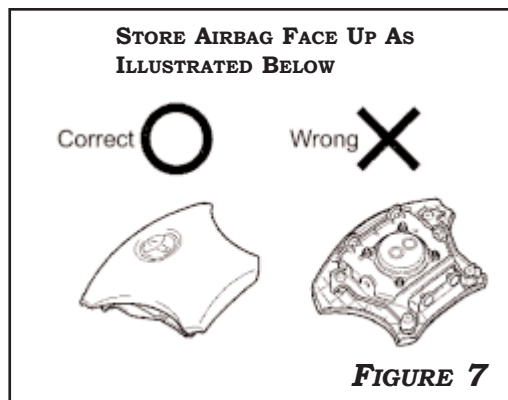


FIGURE 7

INSTALLATION

CONTROL SWITCH



1. USING THE **SWITCH HOLE CUTTING TEMPLATES** ON PAGE 7, PLACE THE TEMPLATE ON THE INSIDE OF THE TRIM PIECE AS SHOWN AND DRILL A 1 1/2" HOLE INTO THE SHROUD FOR THE CONTROL SWITCH. **FIGURE 8**

2. MOUNT CRUISE CONTROL SWITCH WITH TWO (2) PHILLIPS SCREWS PROVIDED. **IF GROUND HARNESS FOR HORN IS PRESENT ON A SEPARATE VEHICLE CONNECTOR, REMOVE HORN GROUND FROM CRUISE HARNESS. PLUG IN CRUISE SWITCH CONNECTOR AND RECONNECT GROUND TERMINAL. FIGURES 9-10**



3. REINSTALL AIRBAG.

TESTING



1. RECONNECT NEGATIVE BATTERY CABLE AND TORQUE TO **3FT*LBS.**



2. TURN THE IGNITION TO THE "ON" POSITION. PRESS THE "CRUISE ON-OFF" BUTTON. THIS TURNS THE SYSTEM ON. THE INDICATOR LIGHT IN THE INSTRUMENT PANEL WILL COME ON. IF THE LIGHT DOES NOT COME ON, OR FLASHES, DISCONNECT NEGATIVE BATTERY TERMINAL AND CONTINUE TO NEXT PAGE.



3. ENSURE CRUISE DISENGAGES WHEN VEHICLE IS SHIFTED INTO NEUTRAL OR CLUTCH IS DEPRESSED. ALSO ENSURE CRUISE DISENGAGES WHEN BRAKE IS DEPRESSED.



REASSEMBLY

1. REINSTALL TRIM PIECES TAKING SPECIAL CARE TO ENSURE HARNESSES AND WIRING CONNECTIONS ARE PROPERLY SECURED.

2. BE SURE HARNESS IS NOT PINCHED OR BOUND.

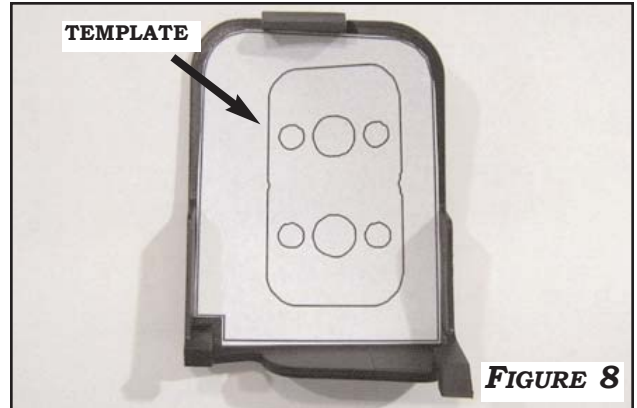


FIGURE 8

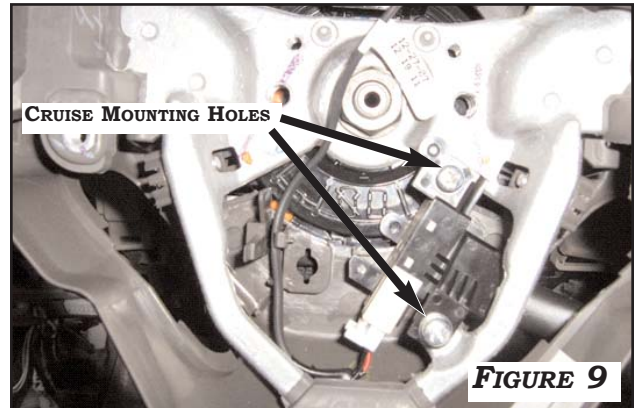


FIGURE 9

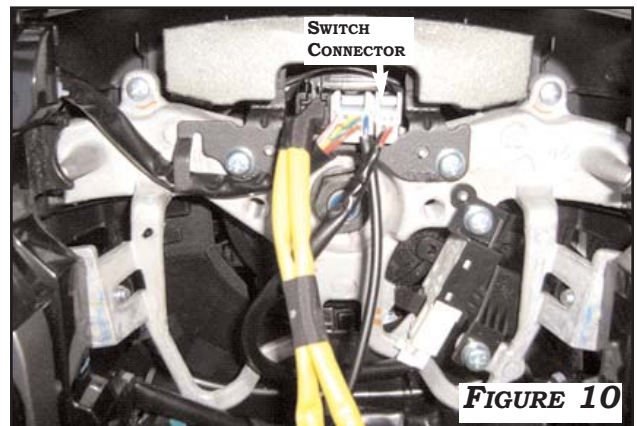


FIGURE 10



FIGURE 11

INSTALLATION



CAUTION: ENSURE THAT BATTERY HAS BEEN DISCONNECTED FOR MORE THAN 90 SECONDS PRIOR TO REMOVAL OF AIRBAG; FAILURE TO HEED THIS WARNING MAY RESULT IN AIRBAG DISCHARGE AND MAY CAUSE SERIOUS INJURY OR DEATH.



FAILURE TO HEED THIS WARNING MAY RESULT IN AIRBAG DISCHARGE AND MAY CAUSE SERIOUS INJURY OR DEATH.

STOP SWITCH ASSEMBLY



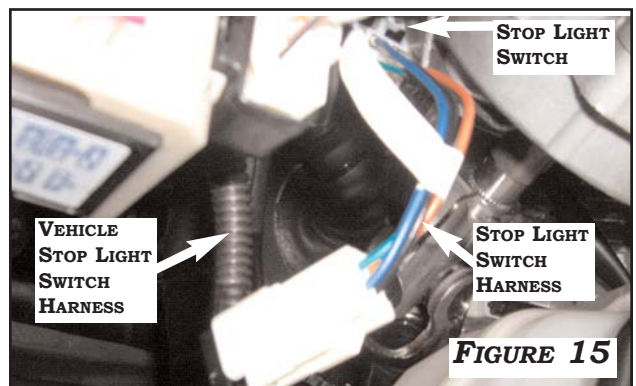
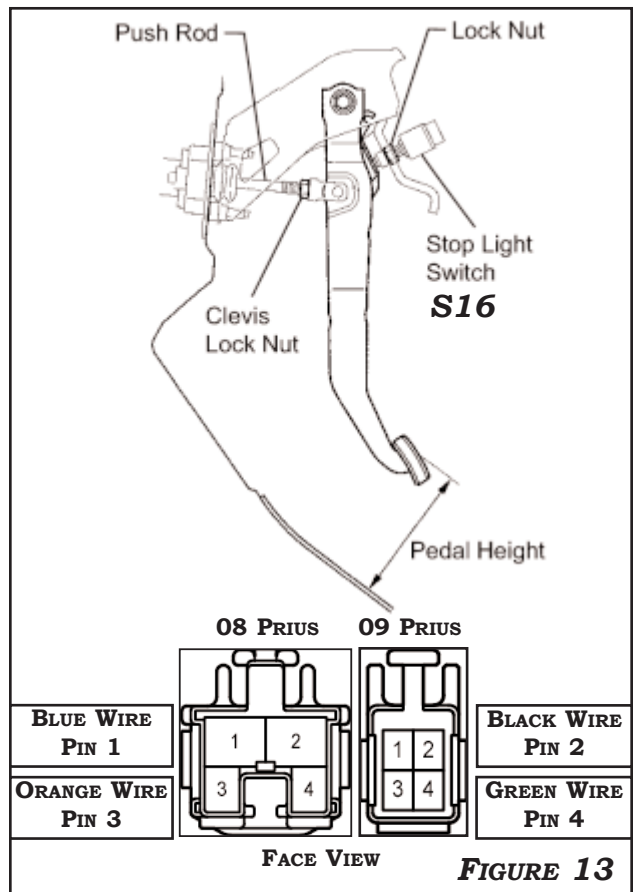
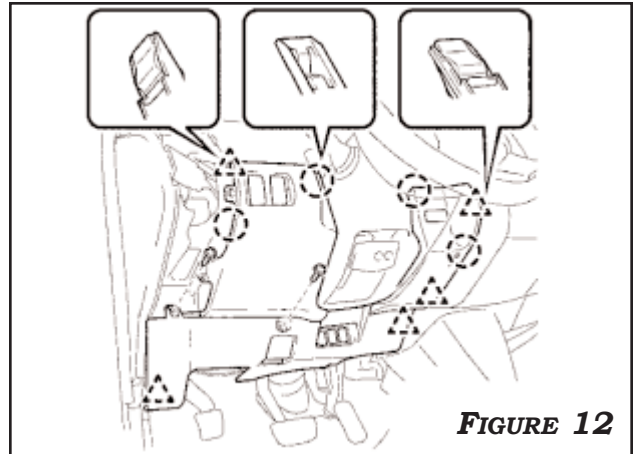
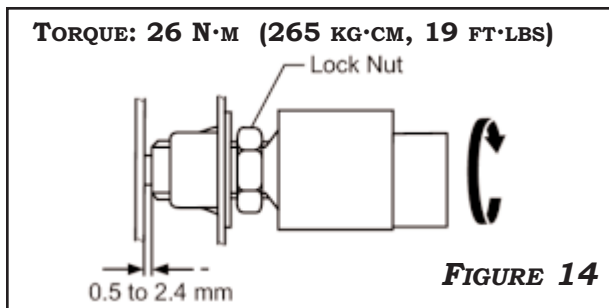
1. ENSURE BATTERY IS DISCONNECTED ACCORDING TO PAGE 2.
2. PULL UP THE FLOOR CARPET AND DASH PANEL INSULATOR. REMOVE 2 SCREWS AND DETACH CLIPS TO RELEASE THE LOWER INSTRUMENT PANEL FINISH PANEL AS SHOWN IN **FIGURE 12**.
3. LOCATE THE BLACK STOP LIGHT SWITCH ASSEMBLY **S16** SHOWN IN **FIGURE 13**. DISCONNECT THE CONNECTOR FROM THE STOP LIGHT SWITCH. RECORD THE POSITION OF THE **14MM** NUT ON THE STOP LIGHT SWITCH ASSEMBLY THREADS. REMOVE THE EXISTING STOP LIGHT SWITCH ASSEMBLY FROM CONNECTOR AND DISCARD.
4. REPLACE SWITCH WITH THE STOP LIGHT SWITCH ASSEMBLY SUPPLIED IN KIT USING THE PREVIOUSLY RECORDED NUT POSITION. TURN THE STOP LIGHT SWITCH SO THAT THE CLEARANCE BETWEEN ITS THREAD PORTION TIP AND THE AREA WHERE THE PEDAL MAKES CONTACT IS BETWEEN 0.5 TO 2.4 MM (0.020 TO 0.095 IN.). **TORQUE: 26 N·M (265 KG·CM, 19 FT·LBS).** **FIGURE 14**. CONNECT THE CONNECTOR TO THE STOP LIGHT SWITCH ASSEMBLY.

NOTE: FOR 09 & UP PRIUS VEHICLES, IF APPLICABLE, USE THE STOP LIGHT SWITCH HARNESS SUPPLIED IN KIT TO CONNECT FROM THE STOP LIGHT SWITCH ASSEMBLY TO THE BLACK CONNECTOR OF THE VEHICLE STOP LIGHT SWITCH HARNESS AS SHOWN IN **FIGURE 15.**

REASSEMBLY

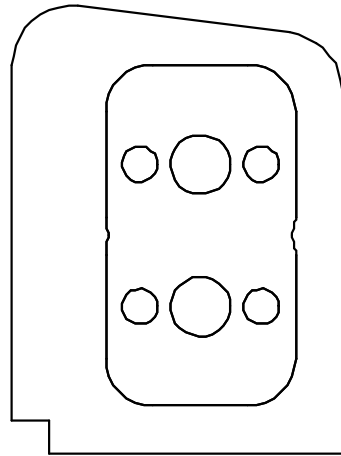


1. REINSTALL TRIM PIECES TAKING SPECIAL CARE TO ENSURE HARNESES AND WIRING CONNECTIONS ARE PROPERLY SECURED.
2. BE SURE HARNESES ARE NOT PINCHED OR BOUND.



NOTES

PRIUS TEMPLATE





ROSTRA.COM