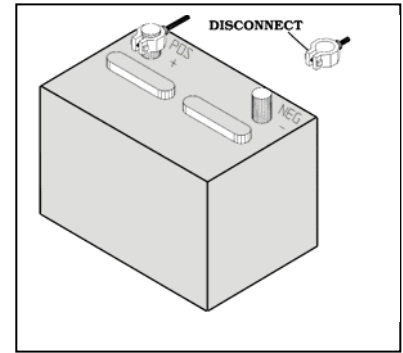
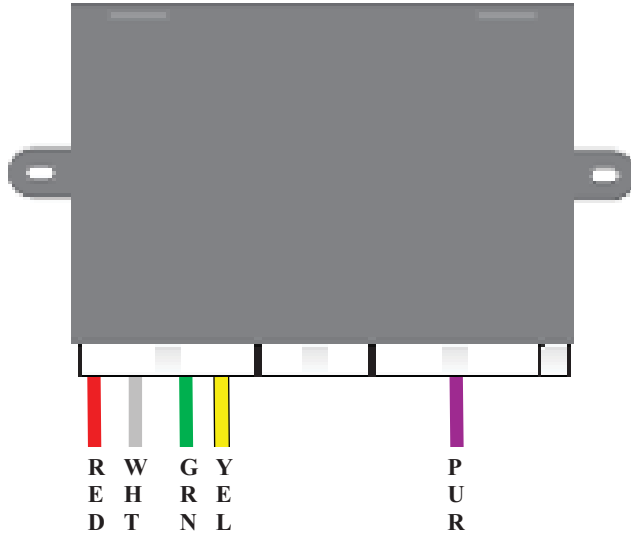
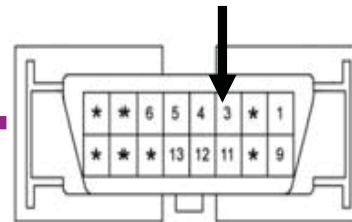


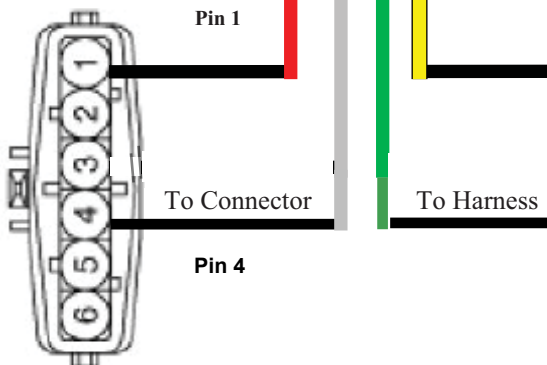
2014 Kia Soul



VSS DIAGNOSTICS PIN 3



Connect to the accelerator pedal



Cut wire at pins 1 and 4 of the accelerator pedal harness and solder connections using the chart below:

2014 KIA SOUL CONNECTIONS

Splice & Solder Direction	Cruise Harness Color	Vehicle Wire
CONNECTOR	RED	*****RK '3
CONNECTOR	WHITE	PIN 4
HARNESS	YELLOW	PIN 1
HARNESS	GREEN	PIN 4