

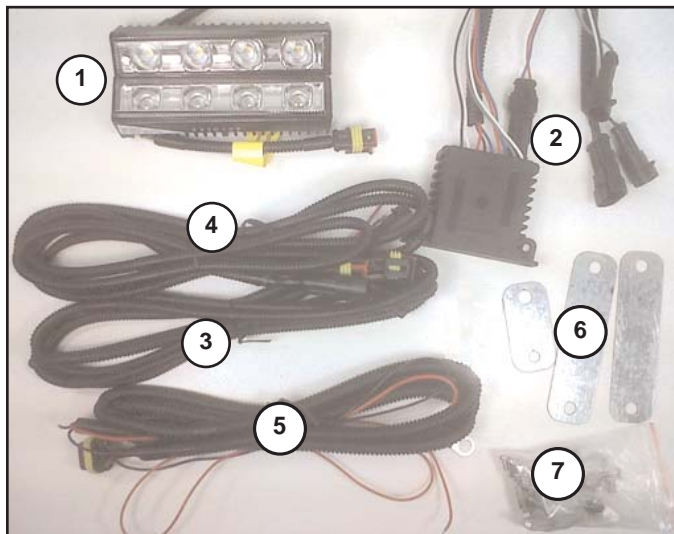


GENERAL APPLICABILITY

SUBARU LEGACY

KIT CONTENTS

ITEM	QTY	DESCRIPTION
1	2	LED DAYTIME RUNNING LIGHTS*
2	1	CONTROL MODULE
3	1	DRL EXTENSION HARNESS - SHORT
4	1	DRL EXTENSION HARNESS - LONG
5	1	ILLUMINATION HARNESS
6	1	MOUNTING BRACKETS (1 SHORT, 2 LONG)
7	1	HARDWARE PACKAGE



RECOMMENDED TOOLS

PERSONAL & VEHICLE PROTECTION	
SAFETY GLASSES	
MASKING TAPE	
SPECIAL TOOLS	
VOLT-OHM METER	
RECOMMENDED INSTALLATION TOOLS	
TRIM REMOVAL TOOL	PHILLIPS SCREWDRIVER
TAPE MEASURE	10-MM WRENCH
DRILL BITS	SOLDERING TOOL
WIRE CUTTERS	SHARP KNIFE
SPECIAL CHEMICALS	

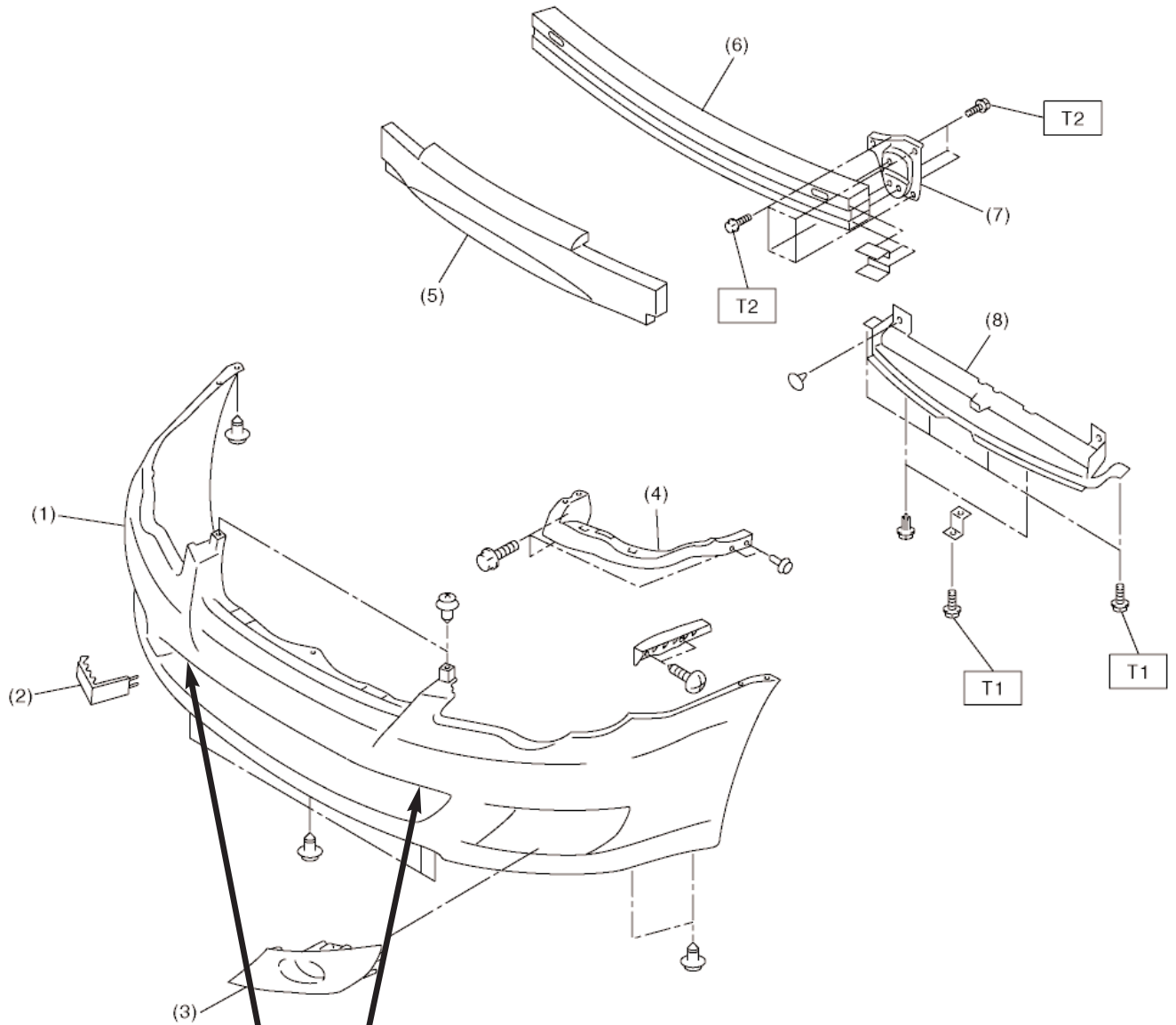
CONFLICTS

NOTE:

LEGEND

	STOP: DAMAGE TO VEHICLE MAY OCCUR. DO NOT PROCEED UNTIL PROCESS COMPLIANCE HAS BEEN MET.
	OPERATOR SAFETY: USE CAUTION TO AVOID RISK OF INJURY.
	CRITICAL PROCESS: PROCEED WITH CAUTION TO ENSURE A QUALITY INSTALLATION. THESE POINTS WILL BE AUDITED ON A COMPLETED VEHICLE INSTALLATION.
	GENERAL PROCESS: THIS HIGHLIGHTS SPECIFIC PROCESSES TO ENSURE A QUALITY INSTALLATION. THESE POINTS WILL BE AUDITED DURING THE ACCESSORY INSTALLATION.
	TOOLS & EQUIPMENT: THIS CALLS OUT THE SPECIFIC TOOLS AND EQUIPMENT REQUIRED FOR THE PROCESS.
	REVISION MARK: THIS MARK HIGHLIGHTS A CHANGE IN INSTALLATION WITH RESPECT TO PREVIOUS ISSUE.

INSTALLATION



EI-0171

- | | |
|-----------------------|-------------------------------|
| (1) Bumper face | (5) Energy absorber foam |
| (2) Towing hook cover | (6) Bumper beam reinforcement |
| (3) Fog light cover | (7) Bumper beam bracket |
| (4) Side bracket | (8) Radiator guide |

Tightening torque: N·m (kgf·m, ft·lb)

T1: 7.5 (0.76, 5.5)

T2: 33 (3.4, 24)

FIGURE 1

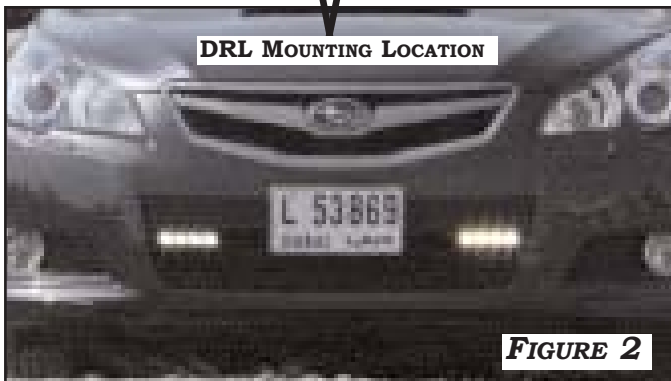


FIGURE 2

MOUNTING INSTRUCTIONS

- 1.** MOUNT ECU USING SHORT BRACKET, AWAY FROM ANY HEAT SOURCE AND MOVING PARTS.
- 2.** USING 1 LONG BRACKET PER DRL, MOUNT DRLS IN FRONT OF GRILL WITH BRACKET BEHIND GRILL. MOUNT IN LOCATION SHOWN IN **FIGURES 1 & 2**.
- 3.** SECURE ALL HARNESSSES AWAY FROM SHARP OBJECTS AND MOVING PARTS.